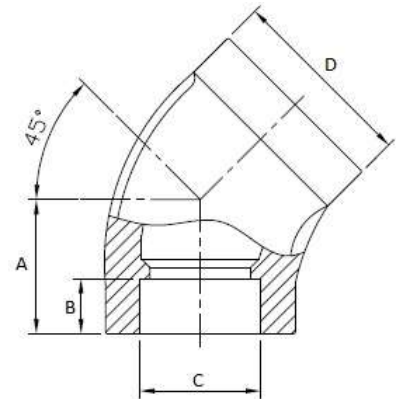


Socket Weld 45 Elbow



Part Number	Nominal Pipe Size	Rating	A	B	C	D	Weight Kg/Pce
015SWE45316	1/2"	150 PSI	21	8	22	27	0.09
020SWE45316	3/4"	150 PSI	25	9	27	32	0.12
025SWE45316	1"	150 PSI	29	11	34	39.5	0.18
032SWE45316	1 1/4"	150 PSI	33	12	43	49	0.24
040SWE45316	1 1/2"	150 PSI	37	12	49	55	0.35
050SWE45316	2"	150 PSI	42	14	61	67	0.48

*Cast Grade CF8M (316)

*Socket Weld Ports

*Dimensions in MM

*Dimensions are for guidance only – Please call to confirm if critical!