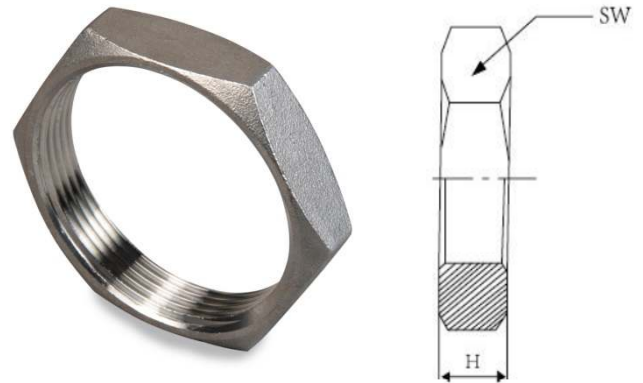


Back Nut



Part Number	Nominal Pipe Size	Rating	SW	H	Weight Kg/Pce
006BSPB	1/8"	150 PSI	14	6.5	0.01
008BSPB	1/4"	150 PSI	18	7	0.02
010BSPB	3/8"	150 PSI	24	7	0.02
015BSPB	1/2"	150 PSI	30	8	0.03
020BSPB	3/4"	150 PSI	35	9	0.04
025BSPB	1"	150 PSI	46	10	0.06
032BSPB	1 1/4"	150 PSI	52	11	0.10
040BSPB	1 1/2"	150 PSI	58	12	0.16
050BSPB	2"	150 PSI	72	13	0.25
065BSPB	2 1/2"	150 PSI	89	15	0.38
080BSPB	3"	150 PSI	102	17	0.45
100BSPB	4"	150 PSI	123	18	0.78

*Cast Grade CF8M (316)

*Female BSP'P (Parallel to ISO 228-1)

*Form may be Hexagon or Octagon

*Dimensions in MM

*Dimensions are for guidance only – Please call to confirm if critical!