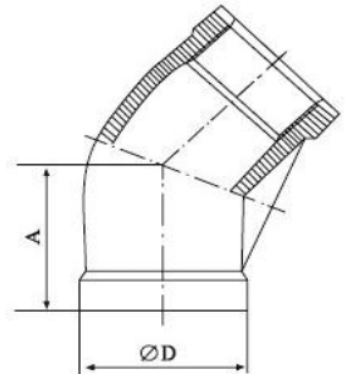


## 45° Female / Female Elbow



Part Number	Nominal Pipe Size	Rating	A	D	Weight Kg/Pce
006BSPE45	1/8"	150 PSI	17	14.6	0.02
008BSPE45	1/4"	150 PSI	17	17.5	0.03
010BSPE45	3/8"	150 PSI	19	22	0.04
015BSPE45	1/2"	150 PSI	21	27	0.12
020BSPE45	3/4"	150 PSI	25	32	0.18
025BSPE45	1"	150 PSI	29	39.5	0.20
032BSPE45	1 1/4"	150 PSI	33	49	0.22
040BSPE45	1 1/2"	150 PSI	37	55	0.40
050BSPE45	2"	150 PSI	42	67	0.60
065BSPE45	2 1/2"	150 PSI	48	84	0.94
080BSPE45	3"	150 PSI	54	98.5	1.04
100BSPE45	4"	150 PSI	64	123.5	2.56

\*Cast Grade CF8M (316)

\*Female Threads BSP'P (Parallel to ISO 228-1)

\*Dimensions in MM

\*Dimensions are for guidance only – Please call to confirm if critical!