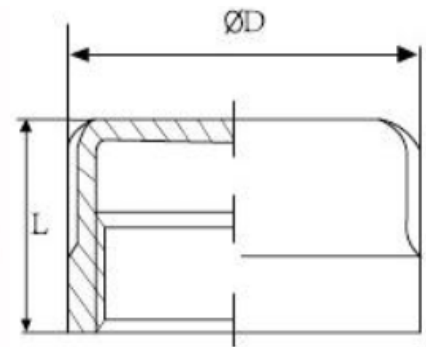


## Round End Cap



Part Number	Nominal Pipe Size	Rating	L	D	Weight Kg/Pce
006BSPEC	1/8"	150 PSI	15	14.6	0.02
008BSPEC	1/4"	150 PSI	15	17.5	0.03
010BSPEC	3/8"	150 PSI	16	21	0.04
015BSPEC	1/2"	150 PSI	20	27	0.06
020BSPEC	3/4"	150 PSI	22	32	0.07
025BSPEC	1"	150 PSI	26	39.5	0.08
032BSPEC	1 1/4"	150 PSI	28	48.5	0.16
040BSPEC	1 1/2"	150 PSI	32	55	0.20
050BSPEC	2"	150 PSI	34	67	0.34
065BSPEC	2 1/2"	150 PSI	39	84	0.42
080BSPEC	3"	150 PSI	42	98.5	0.58
100BSPEC	4"	150 PSI	44	123.5	0.82

\*Cast Grade CF8M (316)

\*Female BSP'P (Parallel to ISO 228-1)

\*Dimensions in MM

\*Dimensions are for guidance only – Please call to confirm if critical!