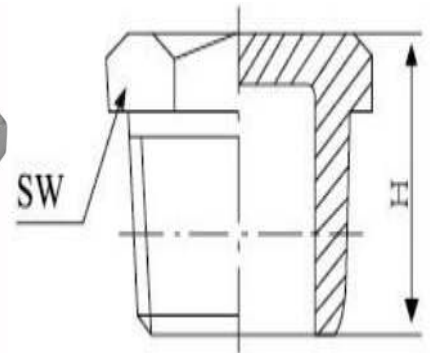


## Hexagon Plug



Part Number	Nominal Pipe Size	Rating	H	SW	Weight Kg/Pce
006BSPHPH	1/8"	150 PSI	17	12	0.01
008BSPHPH	1/4"	150 PSI	18	15	0.02
010BSPHPH	3/8"	150 PSI	20	18	0.03
015BSPHPH	1/2"	150 PSI	22	23	0.04
020BSPHPH	3/4"	150 PSI	25	28	0.07
025BSPHPH	1"	150 PSI	26	35	0.10
032BSPHPH	1 1/4"	150 PSI	30	44	0.16
040BSPHPH	1 1/2"	150 PSI	31	50	0.17
050BSPHPH	2"	150 PSI	35	62	0.24
065BSPHPH	2 1/2"	150 PSI	38	78	0.36
080BSPHPH	3"	150 PSI	42	92	0.95
100BSPHPH	4"	150 PSI	49	116	1.18

\*Cast Grade CF8M (316)

\*Form may be Hexagon or Octagon

\*Male BSP'T (Taper to ISO 7-1)

\*Dimensions in MM

\*Dimensions are for guidance only – Please call to confirm if critical!