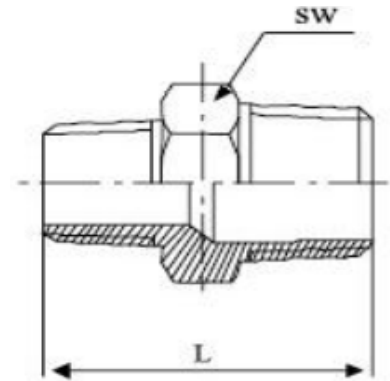


## Hexagon Reducing Nipple



Part Number	Nominal Pipe Size	Rating	SW	L	Weight Kg/Pce
008X006BSPRN	1/4" X 1/8"	150 PSI	15	30	0.02
010X006BSPRN	3/8" X 1/8"	150 PSI	18	33	0.04
010X008BSPRN	3/8" X 1/4"	150 PSI	18	34	0.04
015X006BSPRN	1/2" X 1/8"	150 PSI	23	35	0.06
015X008BSPRN	1/2" X 1/4"	150 PSI	23	37	0.06
015X010BSPRN	1/2" X 3/8"	150 PSI	23	38	0.06
020X008BSPRN	3/4" X 1/4"	150 PSI	28	39	0.08
020X010BSPRN	3/4" X 3/8"	150 PSI	28	40	0.08
020X015BSPRN	3/4" X 1/2"	150 PSI	28	42	0.08
025X008BSPRN	1" X 1/4"	150 PSI	35	43	0.12
025X010BSPRN	1" X 3/8"	150 PSI	35	44	0.12
025X015BSPRN	1" X 1/2"	150 PSI	35	45	0.12
025X020BSPRN	1" X 3/4"	150 PSI	35	47	0.12
032X015BSPRN	1 1/4" X 1/2"	150 PSI	44	48	0.20
032X020BSPRN	1 1/4" X 3/4"	150 PSI	44	50	0.20

Part Number	Nominal Pipe Size	Rating	SW	L	Weight Kg/Pce
032X025BSPRN	1 1/4" X 1"	150 PSI	44	51	0.20
040X015BSPRN	1 1/2" X 1/2"	150 PSI	50	49	0.34
040X020BSPRN	1 1/2" X 3/4"	150 PSI	50	51	0.34
040X025BSPRN	1 1/2" X 1"	150 PSI	50	52	0.34
040X032BSPRN	1 1/2" X 1 1/4"	150 PSI	50	54	0.34
050X015BSPRN	2" X 1/2"	150 PSI	62	53	0.40
050X020BSPRN	2" X 3/4"	150 PSI	62	53	0.40
050X025BSPRN	2" X 1"	150 PSI	62	56	0.40
050X032BSPRN	2" X 1 1/4"	150 PSI	62	58	0.44
050X040BSPRN	2" X 1 1/2"	150 PSI	62	59	0.44
065X040BSPRN	2 1/2" X 1 1/2"	150 PSI	78	68	0.70
065X050BSPRN	2 1/2" X 2"	150 PSI	78	70	0.70
080X040BSPRN	3" X 1 1/2"	150 PSI	92	68	0.90
080X050BSPRN	3" X 2"	150 PSI	92	72	0.90
080X065BSPRN	3" X 2 1/2"	150 PSI	92	82	0.90
100X050BSPRN	4" X 2"	150 PSI	116	76	1.72
100X065BSPRN	4" X 2 1/2"	150 PSI	116	78	1.72
100X080BSPRN	4" X 3"	150 PSI	116	82	1.72

\*Cast Grade CF8M (316)

\*Male Threads BSP'T (Taper to ISO7-1)

\*Other reductions may be available – Please call if required.

\*Dimensions in MM

\*Dimensions are for guidance only – Please call to confirm if critical!

[www.anglostainless.co.uk](http://www.anglostainless.co.uk)