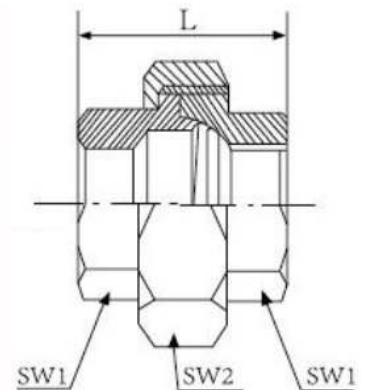


Union (Cone Seat)



Part Number	Nominal Pipe Size	Rating	SW1	SW2	L	Weight Kg/Pce
006BSPHU	1/8"	150 PSI	14	25	27	0.08
008BSPHU	1/4"	150 PSI	17	29	30	0.14
010BSPHU	3/8"	150 PSI	21	34	34	0.19
015BSPHU	1/2"	150 PSI	25	37	35	0.24
020BSPHU	3/4"	150 PSI	31	46	41	0.28
025BSPHU	1"	150 PSI	38	53	44	0.30
032BSPHU	1 1/4"	150 PSI	47	66	49	0.45
040BSPHU	1 1/2"	150 PSI	54	72	54	0.60
050BSPHU	2"	150 PSI	66	88	62	0.80
065BSPHU	2 1/2"	150 PSI	82	109	73	1.32
080BSPHU	3"	150 PSI	95	124	77	1.85
100BSPHU	4"	150 PSI	120	150	98	3.22

*Cast Grade CF8M (316)

*Female BSP'P (Parallel to ISO 228-1)

*Form may be hexagon or Octagon

*Dimensions in MM

*Dimensions are for guidance only – Please call to confirm if critical!