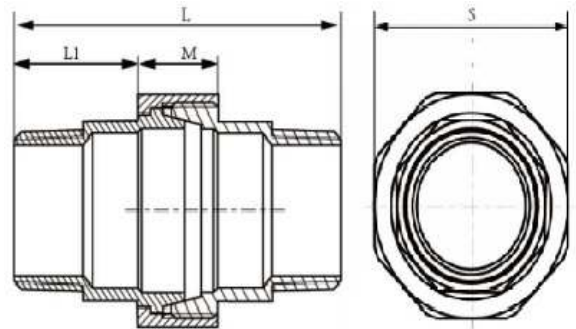


Male / Male Union (Cone Seat)



Part Number	Nominal Pipe Size	Rating	L	L1	M	S	Weight Kg/Pce
006BSPHUMM	1/8"	150 PSI	43.5	16	11.5	21	0.10
008BSPHUMM	1/4"	150 PSI	50	19	12	24	0.16
010BSPHUMM	3/8"	150 PSI	53	20	13	29	0.22
015BSPHUMM	1/2"	150 PSI	62	24	14	34	0.29
020BSPHUMM	3/4"	150 PSI	69	26.5	16	40	0.32
025BSPHUMM	1"	150 PSI	79	30	19	49	0.38
032BSPHUMM	1 1/4"	150 PSI	88	34	20	58.5	0.55
040BSPHUMM	1 1/2"	150 PSI	88	34	20	66	0.70
050BSPHUMM	2"	150 PSI	102	40.5	21	81	0.95
065BSPHUMM	2 1/2"	150 PSI	118	47.5	23	98	1.46
080BSPHUMM	3"	150 PSI	131	53	25	114	2.32
100BSPHUMM	4"	150 PSI	153	62	29	145.5	3.44

*Cast Grade CF8M (316)

*Male BSP'T (Taper to ISO 7-1)

*Form may be hexagon or Octagon

*Dimensions in MM

*Dimensions are for guidance only – Please call to confirm if critical!