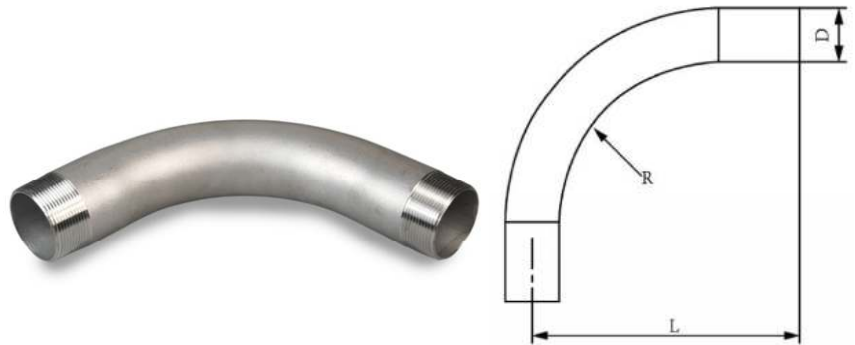


## Male Bends



Part Number	Nominal Pipe Size	Rating	L	R	D	Weight Kg/Pce
006BSPMB	1/8"	150 PSI	50	30	10.2	0.06
008BSPMB	1/4"	150 PSI	60	40	13.5	0.08
010BSPMB	3/8"	150 PSI	70	45	17.2	0.10
015BSPMB	1/2"	150 PSI	80	55	21.3	0.18
020BSPMB	3/4"	150 PSI	100	70	26.9	0.28
025BSPMB	1"	150 PSI	120	80	33.7	0.75
032BSPMB	1 1/4"	150 PSI	140	95	42.4	0.86
040BSPMB	1 1/2"	150 PSI	160	115	48.3	1.06
050BSPMB	2"	150 PSI	190	125	60.3	1.58
065BSPMB	2 1/2"	150 PSI	240	170	76.1	2.52
080BSPMB	3"	150 PSI	290	200	88.9	3.87

\*Grade 316/L

\*Manufactured from Pipe

\*Male Threads BSP'T (Taper to ISO7-1)

\*Dimensions in MM

\*Dimensions are for guidance only – Please call to confirm if critical!