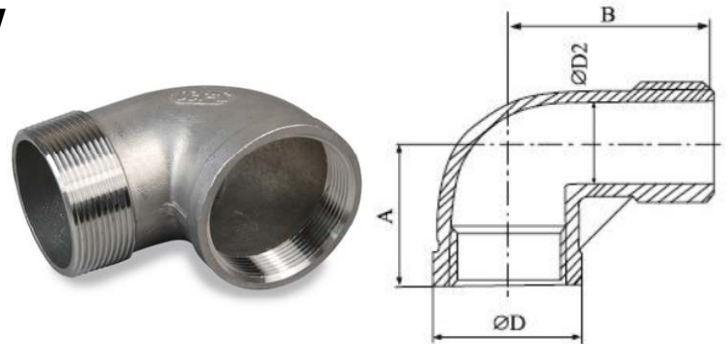


90° Male / Female Elbow



Part Number	Nominal Pipe Size	Rating	A	B	D	Weight Kg/Pce
006BSPMFE	1/8"	150 PSI	17	26	14.6	0.02
008BSPMFE	1/4"	150 PSI	20	28	17.5	0.04
010BSPMFE	3/8"	150 PSI	23	32	22	0.06
015BSPMFE	1/2"	150 PSI	27	36	27	0.07
020BSPMFE	3/4"	150 PSI	32	40	32	0.10
025BSPMFE	1"	150 PSI	38	50	39.5	0.15
032BSPMFE	1 1/4"	150 PSI	45	59	49	0.17
040BSPMFE	1 1/2"	150 PSI	48	64	55	0.60
050BSPMFE	2"	150 PSI	57	72	67	0.70
065BSPMFE	2 1/2"	150 PSI	69	87	84	1.60
080BSPMFE	3"	150 PSI	78	102	98.5	1.74
100BSPMFE	4"	150 PSI	92	125	123.5	1.90

*Cast Grade CF8M (316)

*Male BSP'T (Taper to ISO-7) Female BSP'P (Parallel to ISO 228-1)

*Dimensions in MM

*Dimensions are for guidance only – Please call to confirm if critical!