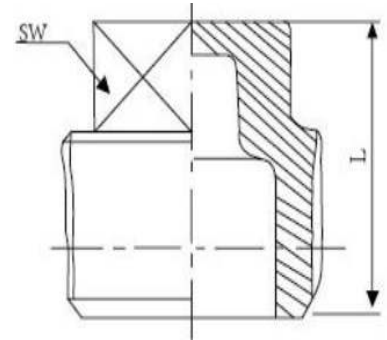


Square Plug



Part Number	Nominal Pipe Size	Rating	SW	L	Weight Kg/Pce
006BSPSP	1/8"	150 PSI	7	15	0.01
008BSPSP	1/4"	150 PSI	8	16	0.02
010BSPSP	3/8"	150 PSI	10	17	0.03
015BSPSP	1/2"	150 PSI	14	23	0.04
020BSPSP	3/4"	150 PSI	17	27.5	0.07
025BSPSP	1"	150 PSI	18	29	0.10
032BSPSP	1 1/4"	150 PSI	19	35	0.16
040BSPSP	1 1/2"	150 PSI	24	35	0.17
050BSPSP	2"	150 PSI	27	38	0.24
065BSPSP	2 1/2"	150 PSI	32	38	0.36
080BSPSP	3"	150 PSI	36	43	0.95
100BSPSP	4"	150 PSI	41	57	1.18

*Cast Grade CF8M (316)

*Male BSP'T (Taper to ISO 7-1)

*Dimensions in MM

*Dimensions are for guidance only – Please call to confirm if critical!