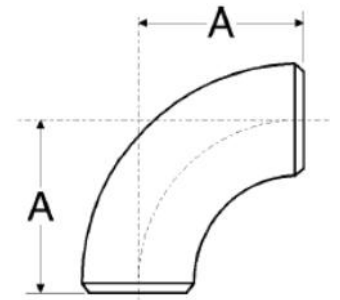


90° Short Radius Elbow



ASTM A403 / ANSI B16.9 / ANSI B16.28

Part Number	Nominal Pipe Size	Schedule	Dimensions (mm)			Weight Kg/Pce
			O.D	Wall Thickness	A	
025BWESRS404	1"	40s	33.4	3.38	25.4	0.10
032BWESRS404	1¼"	40s	42.2	3.56	31.8	0.16
040BWESRS404	1½"	40s	48.3	3.68	38.1	0.24
050BWESRS404	2"	40s	60.3	3.91	50.8	0.44
065BWESRS404	2½"	40s	73.0	5.16	63.5	0.86
080BWESRS404	3"	40s	88.9	5.49	76.2	1.40
100BWESRS404	4"	40s	114.3	6.02	101.6	2.58
125BWESRS404	5"	40s	141.3	6.55	127.0	4.46
150BWESRS404	6"	40s	168.3	7.11	152.4	6.72
200BWESRS404	8"	40s	219.1	8.18	203.2	13.90
250BWESRS404	10"	40s	273.1	9.27	254.0	24.00
300BWESRS404	12"	40s	323.9	9.53	304.8	34.28

*Grade 304/L

*Schedule 40s Wall Thickness

*Seamless Construction

*Dimensions are for guidance only – Please call to confirm if critical!