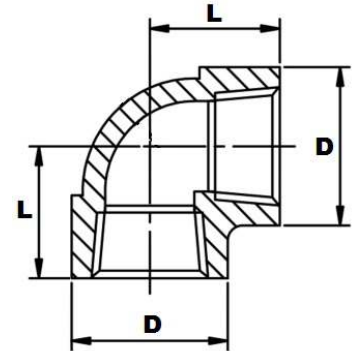


NPT 3000LB 90° Elbow



Part Number	Nominal Pipe Size	Rating	D	L	Weight Kg/Pce
006NPT3KE90	1/8"	3000 PSI	22	21	0.12
008NPT3KE90	1/4"	3000 PSI	25	25	0.14
010NPT3KE90	3/8"	3000 PSI	33	29	0.30
015NPT3KE90	1/2"	3000 PSI	38	33	0.44
020NPT3KE90	3/4"	3000 PSI	46	38	0.58
025NPT3KE90	1"	3000 PSI	56	44	1.16
032NPT3KE90	1 1/4"	3000 PSI	62	51	1.38
040NPT3KE90	1 1/2"	3000 PSI	75	60	2.62
050NPT3KE90	2"	3000 PSI	84	64	2.72

*Grade 316

*Female NPT Threads to ASME B1.20.1

*Dimensions to ANSI B16.11/BS3799

*Dimensions in MM

*Dimensions are for guidance only – Please call to confirm if critical!