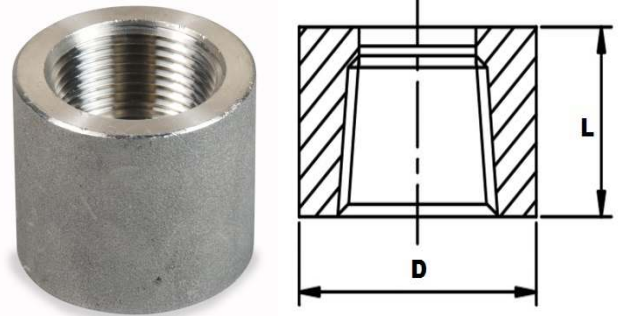


NPT 3000LB Half Coupling



Part Number	Nominal Pipe Size	Rating	D	L	Weight Kg/Pce
006NPT3KHC	1/8"	3000 PSI	16	16	0.015
008NPT3KHC	1/4"	3000 PSI	19	18	0.020
010NPT3KHC	3/8"	3000 PSI	22	19	0.030
015NPT3KHC	1/2"	3000 PSI	29	24	0.070
020NPT3KHC	3/4"	3000 PSI	35	26	0.110
025NPT3KHC	1"	3000 PSI	45	30	0.200
032NPT3KHC	1 1/4"	3000 PSI	57	34	0.370
040NPT3KHC	1 1/2"	3000 PSI	64	40	0.520
050NPT3KHC	2"	3000 PSI	76	43	0.680
065NPT3KHC	2 1/2"	3000 PSI	92	46	1.330
080NPT3KHC	3"	3000 PSI	108	54	1.650
100NPT3KHC	4"	3000 PSI	140	61	2.000

*Grade 316

*Female NPT Thread to ASME B1.20.1

*Dimensions to ANSI B16.11/BS3799

*Dimensions in MM

*Dimensions are for guidance only – Please call to confirm if critical!