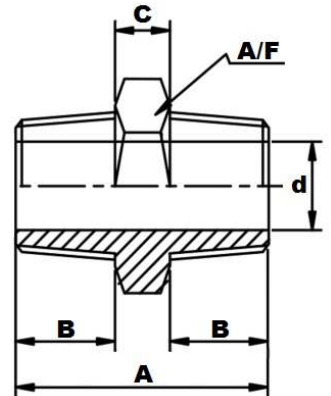


NPT 3000LB Hexagon Nipple



| Part Number | Nominal Pipe Size | Rating | AF | A | B | C | d | Weight Kg/Pce |
|-------------|-------------------|----------|----|----|----|----|----|---------------|
| 006NPT3KHN | 1/8" | 3000 PSI | 11 | 25 | 9 | 6 | 5 | 0.02 |
| 008NPT3KHN | 1/4" | 3000 PSI | 16 | 33 | 13 | 8 | 8 | 0.03 |
| 010NPT3KHN | 3/8" | 3000 PSI | 18 | 33 | 13 | 8 | 11 | 0.05 |
| 015NPT3KHN | 1/2" | 3000 PSI | 22 | 40 | 16 | 8 | 14 | 0.08 |
| 020NPT3KHN | 3/4" | 3000 PSI | 27 | 45 | 18 | 10 | 19 | 0.12 |
| 025NPT3KHN | 1" | 3000 PSI | 35 | 51 | 21 | 10 | 24 | 0.26 |
| 032NPT3KHN | 1 1/4" | 3000 PSI | 45 | 58 | 22 | 14 | 31 | 0.40 |
| 040NPT3KHN | 1 1/2" | 3000 PSI | 52 | 60 | 22 | 16 | 38 | 0.50 |
| 050NPT3KHN | 2" | 3000 PSI | 62 | 65 | 24 | 17 | 39 | 0.80 |

*Grade 316

*Male NPT Threads

*Dimensions to ANSI B16.11/BS3799

*Dimensions in MM

*Dimensions are for guidance only – Please call to confirm if critical!