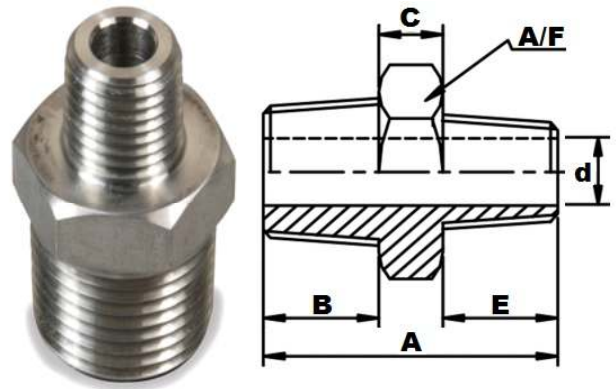


NPT 3000LB Reducing Nipple



Part Number	Nominal Pipe Size	A/F	A	B	C	E	d	Weight Kg/Pce
008X006NPT3KRN	1/4" X 1/8"	16	28	13	6	9	5	0.03
010X006NPT3KRN	3/8" X 1/8"	18	30	13	8	9	5	0.05
010X008NPT3KRN	3/8" X 1/4"	18	34	13	8	13	8	0.05
015X008NPT3KRN	1/2" X 1/4"	22	37	16	8	13	8	0.08
015X010NPT3KRN	1/2" X 3/8"	22	37	16	8	13	11	0.08
020X010NPT3KRN	3/4" X 3/8"	28	40	18	9	13	11	0.11
020X015NPT3KRN	3/4" X 1/2"	28	43	18	9	16	14	0.12
025X010NPT3KRN	1" X 3/8"	35	43	21	9	13	11	0.25
025X015NPT3KRN	1" X 1/2"	35	46	21	9	16	14	0.23
025X020NPT3KRN	1" X 3/4"	35	48	21	9	18	19	0.21
032X020NPT3KRN	1 1/4" X 3/4"	47	54	22	14	18	19	0.44
032X025NPT3KRN	1 1/4" X 1"	47	57	22	14	21	24	0.40
040X020NPT3KRN	1 1/2" X 3/4"	52	56	22	16	18	19	0.58
040X025NPT3KRN	1 1/2" X 1"	52	59	22	16	21	24	0.56
040X032NPT3KRN	1 1/2" X 1 1/4"	52	50	22	16	22	32	0.56
050X025NPT3KRN	2" X 1"	64	63	24	18	21	24	0.95
050X032NPT3KRN	2" X 1 1/4"	64	64	24	18	22	32	0.90
050X040NPT3KRN	2" X 1 1/2"	64	64	24	18	22	38	0.84

*Grade 316

*Male NPT Threads

*3000LB Rating

*Dimensions in MM

*Dimensions are for guidance only – Please call to confirm if critical!