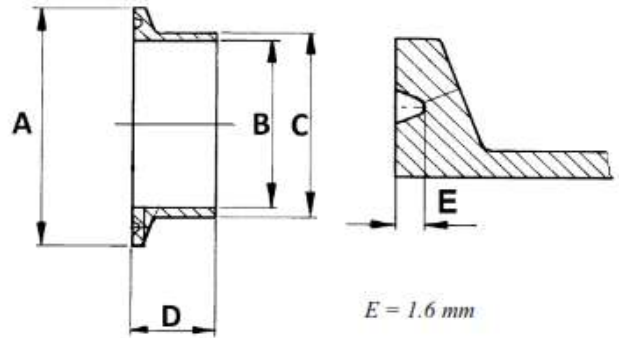


O/D Clamp Ferrule



Part Number	Size	Pipe Size	A	B	C	D	Weight Kg/Pce
0150DFERRULE	1/2"	12.70	25.4	9.5	12.90	21.5	0.005
0200DFERRULE	3/4"	19.05	25.4	15.85	19.30	21.5	0.010
0250DFERRULE	1"	25.40	50.5	22.2	25.65	21.5	0.015
0400DFERRULE	1 1/2"	38.10	50.5	34.9	38.35	21.5	0.025
0500DFERRULE	2"	50.80	64	47.6	51.05	21.5	0.040
0650DFERRULE	2 1/2"	63.50	77.5	60.3	63.75	21.5	0.060
0800DFERRULE	3"	76.20	91	73.0	76.45	21.5	0.140
1000DFERRULE	4"	101.60	119	97.6	101.85	21.5	0.180

*Grade 316

*Dull Polish Finish on O/D

*Dimensions in MM

*To EN 20286-1

*Other Lengths may be available – Please call!

*Dimensions are for guidance only – Please call to confirm if critical!