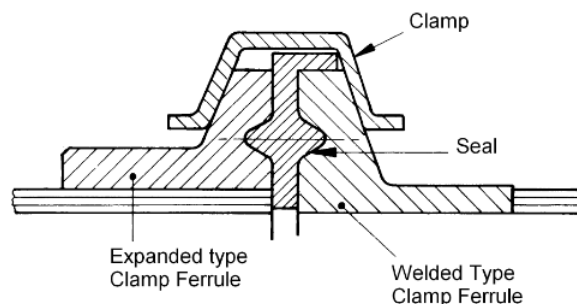


## O/D Clamp Union (EPDM Seal)



Part Number	Size	Pipe Size	Dimensions	Weight Kg/Pce
015CLAMPUEPDM	1/2"	12.70	As per components	0.48
020CLAMPUEPDM	3/4"	19.05	As per components	0.45
025CLAMPUEPDM	1"	25.40	As per components	0.60
040CLAMPUEPDM	1 1/2"	38.10	As per components	0.70
050CLAMPUEPDM	2"	50.80	As per components	0.90
065CLAMPUEPDM	2 1/2"	63.50	As per components	1.10
080CLAMPUEPDM	3"	76.20	As per components	1.45
100CLAMPUEPDM	4"	101.60	As per components	1.85

### Clamp Union Cross Section



\*Grade 316 Wet Parts /304 Clamp / EPDM Seal

\*To EN 20286-1

\*1/2" & 3/4" Sizes and 1" & 1 1/2" Sizes use the same size Seal & Clamp

\*Other Seal materials are available on request (Viton, Silicone, PTFE)

\*Dimensions in MM

\*Dimensions are for guidance only – Please call to confirm if critical!