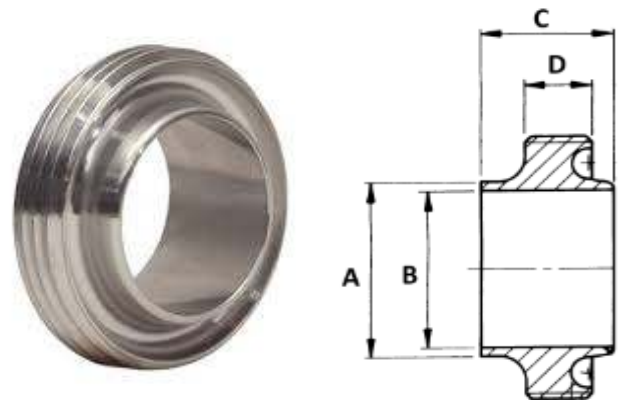
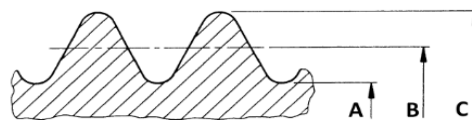


RJT Male Part



Part Number	Size	Pipe Size	A	B	C	D	Weight Kg/Pce
025RJTM316	1"	25.4	25.65	22.2	26.3	14.3	0.08
040RJTM316	1½"	38.1	38.35	34.9	26.3	14.3	0.14
050RJTM316	2"	50.8	51.05	47.6	26.3	14.3	0.23
065RJTM316	2½"	63.5	63.75	60.3	26.3	14.3	0.32
080RJTM316	3"	76.2	76.45	73.0	26.3	14.3	0.38
100RJTM316	4"	101.6	101.85	97.6	26.3	14.3	0.44

RJT Screw Threads for Male Parts



Size	Pipe Size	A		B		C		Threads Per Inch
		Max	Min	Max	Min	Max	Min	
1"	25.4	41.656	41.351	43.688	43.383	45.720	45.415	8
1½"	38.1	54.356	54.051	56.388	56.083	58.420	58.115	8
2"	50.8	67.310	67.005	70.002	69.697	72.720	72.415	6
2½"	63.5	80.010	79.705	82.702	82.397	85.420	85.115	6
3"	76.2	92.710	92.405	95.402	95.097	98.120	97.815	6
4"	101.6	118.11	117.805	120.802	120.497	123.520	123.215	6

*Grade 316

*Dull Polish Finish on O/D

*Dimensions in MM

*Dimensions are for guidance only – Please call to confirm if critical!