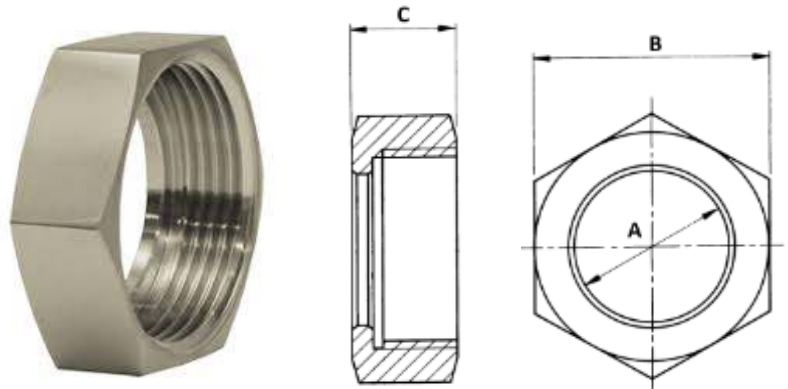
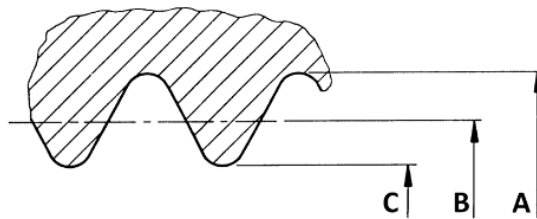


## RJT Nut



Part Number	Size	Pipe Size	A	B	C	Weight Kg/Pce
025RJTNUT304	1"	25.4	33.3	50.8	22.2	0.12
040RJTNUT304	1½"	38.1	46.0	65.0	22.2	0.26
050RJTNUT304	2"	50.8	58.7	79.4	22.2	0.34
065RJTNUT304	2½"	63.5	71.4	92.1	22.2	0.40
080RJTNUT304	3"	76.2	84.1	104.8	22.2	0.44
100RJTNUT304	4"	101.6	109.5	130.2	22.2	0.54

## RJT Screw Threads for Nut



Size	Pipe Size	A		B		C		Threads Per Inch
		Max	Min	Max	Min	Max	Min	
1"	25.4	46.635	46.330	44.603	44.298	43.079	42.266	8
1½"	38.1	59.335	59.030	57.303	56.998	55.779	54.966	8
2"	50.8	73.635	73.330	70.917	70.612	68.733	67.920	6
2½"	63.5	86.335	86.030	83.617	83.312	81.433	80.620	6
3"	76.2	99.035	98.730	96.317	96.012	94.133	93.320	6
4"	101.6	124.435	124.130	121.717	121.412	119.533	118.720	6

\*Grade 304

\*Dull Polish Finish on O/D

\*Dimensions in MM

\*Dimensions are for guidance only – Please call to confirm if critical!