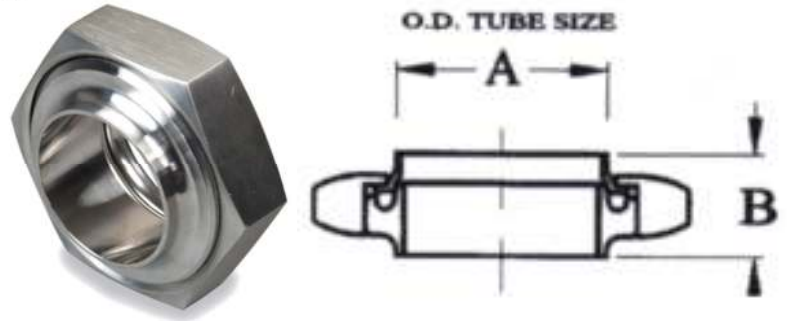
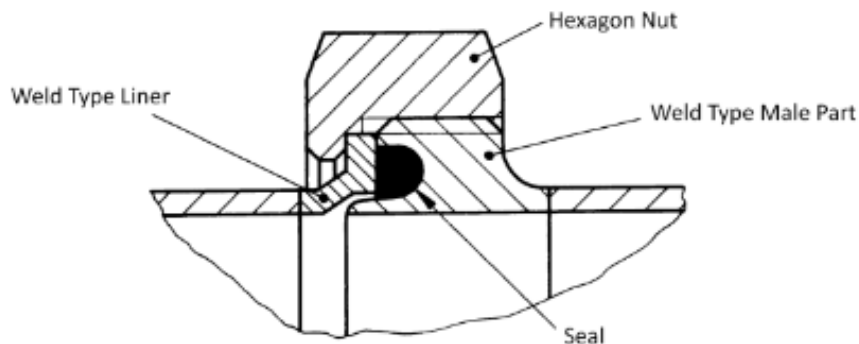


RJT Union (Nitrile Seal)



Part Number	Size	Pipe Size (A)	B	Weight Kg/Pce
025RJTUNION	1"	25.4	37	0.27
040RJTUNION	1½"	38.1	34	0.46
050RJTUNION	2"	50.8	34	0.62
065RJTUNION	2½"	63.5	35	0.70
080RJTUNION	3"	76.2	36	0.82
100RJTUNION	4"	101.6	45	1.10

RJT Union Cross Section



*Grade 316 / 304 / Nitrile

*Dimensions in MM

*Other seal materials are available (EPDM, Viton, Silicon, PTFE)

*Dimensions are for guidance only – Please call to confirm if critical!