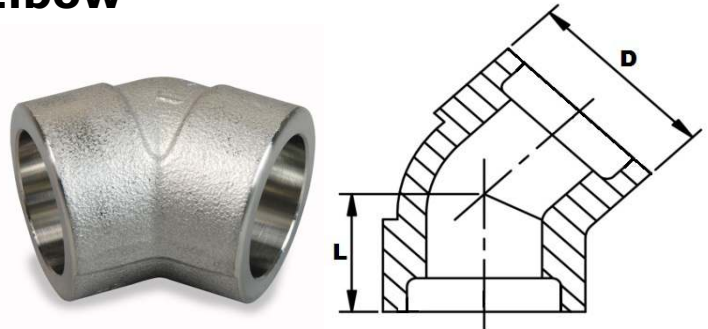


## Socket Weld 3000LB 45° Elbow



Part Number	Nominal Pipe Size	Rating	D	L	Weight Kg/Pce
008SW3KE45	1/4"	3000 PSI	20.7	18	0.060
010SW3KE45	3/8"	3000 PSI	24.6	18	0.085
015SW3KE45	1/2"	3000 PSI	30	21	0.180
020SW3KE45	3/4"	3000 PSI	36	26	0.222
025SW3KE45	1"	3000 PSI	44.1	28	0.360
032SW3KE45	1 1/4"	3000 PSI	53.5	31	0.555
040SW3KE45	1 1/2"	3000 PSI	60.2	34	0.850
050SW3KE45	2"	3000 PSI	73.2	42	1.200

\*Grade 316

\*Dimensions to ANSI B16.11/BS3799

\*Dimensions in MM

\*Larger sizes are available to order

\*Dimensions are for guidance only – Please call to confirm if critical!