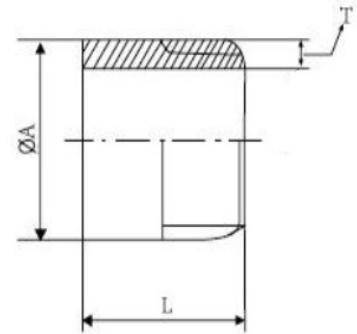


## Extended Length Weld Nipple



Part Number	Nominal Pipe Size	Rating	A	L	T	Weight Kg/Pce
008BSPWNX100	1/4"	150 PSI	13.72	100	2.24	0.07
008BSPWNX150	1/4"	150 PSI	13.72	150	2.24	0.09
008BSPWNX200	1/4"	150 PSI	13.72	200	2.24	0.12
008BSPWNX250	1/4"	150 PSI	13.72	250	2.24	0.16
008BSPWNX300	1/4"	150 PSI	13.72	300	2.24	0.18
010BSPWNX100	3/8"	150 PSI	17.15	100	2.31	0.08
010BSPWNX150	3/8"	150 PSI	17.15	150	2.31	0.12
010BSPWNX200	3/8"	150 PSI	17.15	200	2.31	0.17
010BSPWNX250	3/8"	150 PSI	17.15	250	2.31	0.21
010BSPWNX300	3/8"	150 PSI	17.15	300	2.31	0.25
015BSPWNX100	1/2"	150 PSI	21.34	100	2.77	0.12
015BSPWNX150	1/2"	150 PSI	21.34	150	2.77	0.19
015BSPWNX200	1/2"	150 PSI	21.34	200	2.77	0.24
015BSPWNX250	1/2"	150 PSI	21.34	250	2.77	0.32
015BSPWNX300	1/2"	150 PSI	21.34	300	2.77	0.38
020BSPWNX100	3/4"	150 PSI	26.67	100	2.87	0.16
020BSPWNX150	3/4"	150 PSI	26.67	150	2.87	0.25
020BSPWNX200	3/4"	150 PSI	26.67	200	2.87	0.33
020BSPWNX250	3/4"	150 PSI	26.67	250	2.87	0.42
020BSPWNX300	3/4"	150 PSI	26.67	300	2.87	0.50

Part Number	Nominal Pipe Size	Rating	A	L	T	Weight Kg/Pce
025BSPWNX100	1"	150 PSI	33.40	100	3.38	0.25
025BSPWNX150	1"	150 PSI	33.40	150	3.38	0.37
025BSPWNX200	1"	150 PSI	33.40	200	3.38	0.50
025BSPWNX250	1"	150 PSI	33.40	250	3.38	0.62
025BSPWNX300	1"	150 PSI	33.40	300	3.38	0.75
032BSPWNX100	1 1/4"	150 PSI	42.16	100	3.56	0.33
032BSPWNX150	1 1/4"	150 PSI	42.16	150	3.56	0.51
032BSPWNX200	1 1/4"	150 PSI	42.16	200	3.56	0.67
032BSPWNX250	1 1/4"	150 PSI	42.16	250	3.56	0.84
032BSPWNX300	1 1/4"	150 PSI	42.16	300	3.56	1.01
040BSPWNX100	1 1/2"	150 PSI	48.26	100	3.69	0.40
040BSPWNX150	1 1/2"	150 PSI	48.26	150	3.69	0.60
040BSPWNX200	1 1/2"	150 PSI	48.26	200	3.69	0.81
040BSPWNX250	1 1/2"	150 PSI	48.26	250	3.69	1.01
040BSPWNX300	1 1/2"	150 PSI	48.26	300	3.69	1.20
050BSPWNX100	2"	150 PSI	60.33	100	3.91	0.54
050BSPWNX150	2"	150 PSI	60.33	150	3.91	0.81
050BSPWNX200	2"	150 PSI	60.33	200	3.91	1.08
050BSPWNX250	2"	150 PSI	60.33	250	3.91	1.36
050BSPWNX300	2"	150 PSI	60.33	300	3.91	1.63

\*Grade 316/L

\*Manufactured from Pipe

\*Male Threads BSP'T (Taper to ISO7-1)

\*Dimensions in MM

\*Dimensions are for guidance only – Please call to confirm if critical!