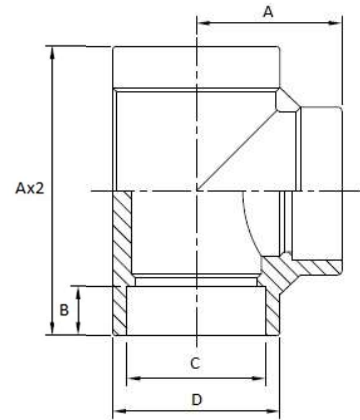


Socket Weld Equal Tee



Part Number	Nominal Pipe Size	Rating	A	B	C	D	Weight Kg/Pce
015SWET316	1/2"	150 PSI	27	8	22	27	0.12
020SWET316	3/4"	150 PSI	32	9	27	32	0.16
025SWET316	1"	150 PSI	38	11	34	39.5	0.36
032SWET316	1 1/4"	150 PSI	45	12	43	49	0.40
040SWET316	1 1/2"	150 PSI	48	12	49	55	0.44
050SWET316	2"	150 PSI	57	14	61	67	1.01

*Cast Grade CF8M (316)

*Socket Weld Ports

*Dimensions in MM

*Dimensions are for guidance only – Please call to confirm if critical!