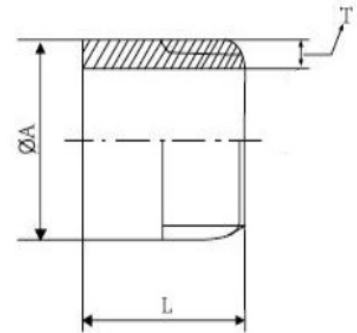


Weld Nipple



Part Number	Nominal Pipe Size	Rating	A	L	T	Weight Kg/Pce
006BSPWN	1/8"	150 PSI	10.29	30	1.73	0.01
008BSPWN	1/4"	150 PSI	13.72	30	2.24	0.02
010BSPWN	3/8"	150 PSI	17.15	30	2.31	0.03
015BSPWN	1/2"	150 PSI	21.34	35	2.77	0.04
020BSPWN	3/4"	150 PSI	26.67	40	2.87	0.05
025BSPWN	1"	150 PSI	33.40	40	3.38	0.07
032BSPWN	1 1/4"	150 PSI	42.16	50	3.56	0.12
040BSPWN	1 1/2"	150 PSI	48.26	50	3.69	0.16
050BSPWN	2"	150 PSI	60.33	50	3.91	0.18
065BSPWN	2 1/2"	150 PSI	73.03	60	5.16	0.46
080BSPWN	3"	150 PSI	88.90	70	5.49	0.56
100BSPWN	4"	150 PSI	114.3	80	6.02	0.78
125BSPWN	5"	150 PSI	141.3	100	6.55	2.00
150BSPWN	6"	150 PSI	168.3	100	7.11	2.70

*Grade 316/L

*Manufactured from Pipe

*Male Threads BSP'T (Taper to ISO7-1)

*Dimensions in MM

*Dimensions are for guidance only – Please call to confirm if critical!