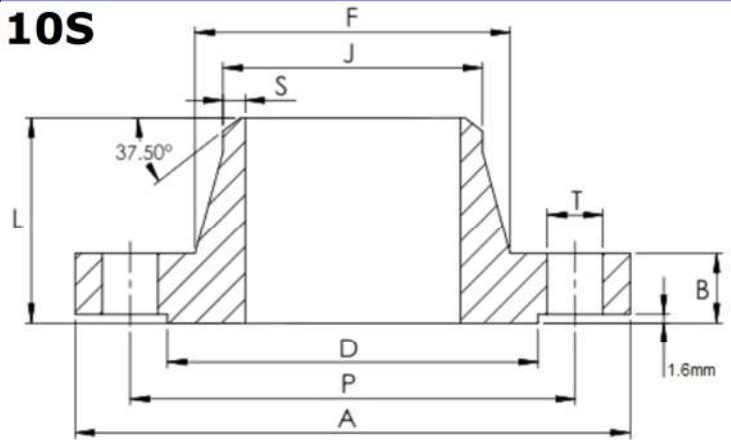


## ANSI B16.5 300LB RFWN SCH10S



### #Number of Bolt Holes

Part Number	Size	A	B	D	L	F	J	S	P	T	#	Kg (Pc)
015FWN103304L	1/2"	95	14.3	35	52	38	21.3	2.11	66.7	15.9	4	0.88
020FWN103304L	3/4"	117	15.9	43	57	48	26.7	2.11	82.6	19.0	4	1.31
025FWN103304L	1"	124	17.5	51	62	54	33.4	2.77	88.9	19.0	4	1.77
032FWN103304L	1 1/4"	133	19.0	64	65	64	42.2	2.77	98.4	19.0	4	2.40
040FWN103304L	1 1/2"	156	20.6	73	68	70	48.3	2.77	114.3	22.2	4	3.10
050FWN103304L	2"	165	22.2	92	70	84	60.3	2.77	127.0	19.0	8	3.63
065FWN103304L	2 1/2"	190	25.4	105	76	100	73.0	3.05	149.2	22.2	8	5.35
080FWN103304L	3"	210	28.6	127	79	117	88.9	3.05	168.3	22.2	8	7.10
100FWN103304L	4"	254	31.8	157	86	146	114.3	3.05	200.0	22.2	8	11.21
125FWN103304L	5"	279	34.9	186	98	178	141.3	3.40	235.0	22.2	8	15.38
150FWN103304L	6"	318	36.5	216	98	206	168.3	3.40	269.9	22.2	12	20.10
200FWN103304L	8"	381	41.3	270	111	260	219.1	3.76	330.2	25.4	12	31.10
250FWN103304L	10"	444	47.6	324	117	321	273.0	4.19	387.4	28.6	16	44.01
300FWN103304L	12"	521	50.8	381	130	375	323.9	4.57	450.8	31.8	16	63.27
350FWN103304L	14"	584	54.0	413	143	425	355.6	4.78	514.4	31.8	20	83.29
400FWN103304L	16"	648	57.2	470	146	483	406.4	4.78	571.5	34.9	20	109.5
450FWN103304L	18"	711	60.3	533	159	533	457.2	4.78	628.6	34.9	24	135.9
500FWN103304L	20"	775	63.5	584	162	587	508.0	5.53	685.8	34.9	24	169.2
600FWN103304L	24"	914	69.8	692	168	702	609.6	6.35	812.8	41.3	24	244.6

\*Grade 304/L

\*RFWN = Raised Faced Weld Neck

\*Surface Finish on Raised Face = Ra 3.2-6.3 µm

\*Dimensions in MM

\*Dimensions are for guidance only – Please call to confirm if critical!