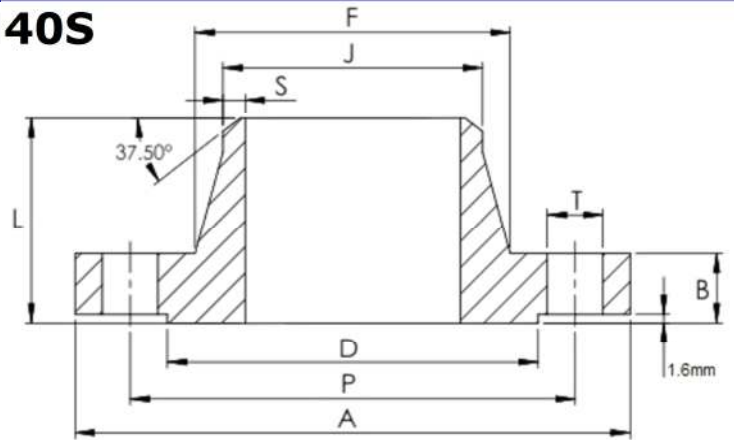


ANSI B16.5 150LB RFWN SCH40S



#Number of Bolt Holes

| Part Number | Size | A | B | D | L | F | J | S | P | T | # | Kg (Pc) |
|--------------|--------|-----|------|-----|-----|-----|-------|------|-------|------|----|---------|
| 015FWN40304L | 1/2" | 89 | 11.1 | 35 | 48 | 30 | 21.3 | 2.77 | 60.3 | 15.9 | 4 | 0.59 |
| 020FWN40304L | 3/4" | 98 | 12.7 | 43 | 52 | 38 | 26.7 | 2.87 | 69.8 | 15.9 | 4 | 0.85 |
| 025FWN40304L | 1" | 108 | 14.3 | 51 | 56 | 49 | 33.4 | 3.38 | 79.4 | 15.9 | 4 | 1.10 |
| 032FWN40304L | 1 1/4" | 117 | 15.9 | 64 | 57 | 59 | 42.2 | 3.56 | 88.9 | 15.9 | 4 | 1.51 |
| 040FWN40304L | 1 1/2" | 127 | 17.5 | 73 | 62 | 65 | 48.3 | 3.69 | 98.4 | 15.9 | 4 | 1.96 |
| 050FWN40304L | 2" | 152 | 19.0 | 92 | 64 | 78 | 60.3 | 3.91 | 120.6 | 19.0 | 4 | 2.72 |
| 065FWN40304L | 2 1/2" | 178 | 22.2 | 105 | 70 | 90 | 73.0 | 5.16 | 139.7 | 19.0 | 4 | 4.41 |
| 080FWN40304L | 3" | 190 | 23.8 | 127 | 70 | 108 | 88.9 | 5.49 | 152.4 | 19.0 | 4 | 5.16 |
| 100FWN40304L | 4" | 229 | 23.8 | 157 | 76 | 135 | 114.3 | 6.02 | 190.5 | 19.0 | 8 | 7.25 |
| 125FWN40304L | 5" | 254 | 23.8 | 186 | 89 | 164 | 141.3 | 6.55 | 215.9 | 22.2 | 8 | 8.83 |
| 150FWN40304L | 6" | 279 | 25.4 | 216 | 89 | 192 | 168.3 | 7.11 | 241.3 | 22.2 | 8 | 11.06 |
| 200FWN40304L | 8" | 343 | 28.6 | 270 | 102 | 246 | 219.1 | 8.18 | 298.4 | 22.2 | 8 | 18.05 |
| 250FWN40304L | 10" | 406 | 30.2 | 324 | 102 | 305 | 273.0 | 9.27 | 362.0 | 25.4 | 12 | 23.84 |
| 300FWN40304L | 12" | 483 | 31.8 | 381 | 114 | 365 | 323.9 | 9.53 | 431.8 | 25.4 | 12 | 36.91 |
| 350FWN40304L | 14" | 533 | 34.9 | 413 | 127 | 400 | 355.6 | 9.53 | 476.2 | 28.6 | 12 | 50.15 |
| 400FWN40304L | 16" | 597 | 36.5 | 470 | 127 | 457 | 406.4 | 9.53 | 539.8 | 28.6 | 16 | 64.25 |
| 450FWN40304L | 18" | 635 | 39.7 | 533 | 140 | 505 | 457.2 | 9.53 | 577.8 | 31.8 | 16 | 69.74 |
| 500FWN40304L | 20" | 698 | 42.9 | 584 | 144 | 559 | 508.0 | 9.53 | 635.0 | 31.8 | 20 | 83.45 |
| 600FWN40304L | 24" | 813 | 47.6 | 692 | 152 | 664 | 609.6 | 9.53 | 749.4 | 34.9 | 20 | 120.5 |

*Grade 304/L

*RWN = Raised Faced Weld Neck

*Surface Finish on Raised Face = Ra 3.2-6.3 µm

*Dimensions in MM

*Dimensions are for guidance only – Please call to confirm if critical!